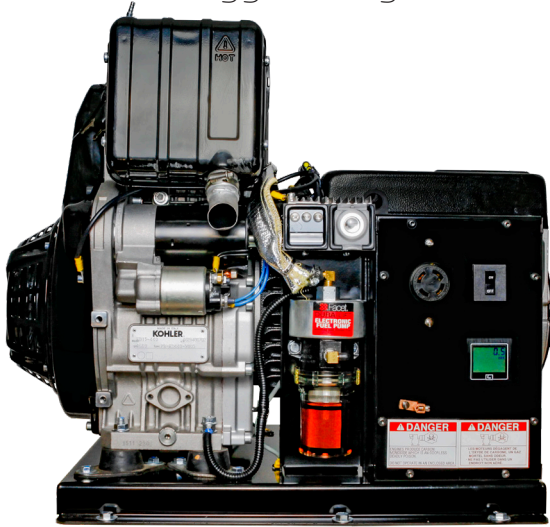
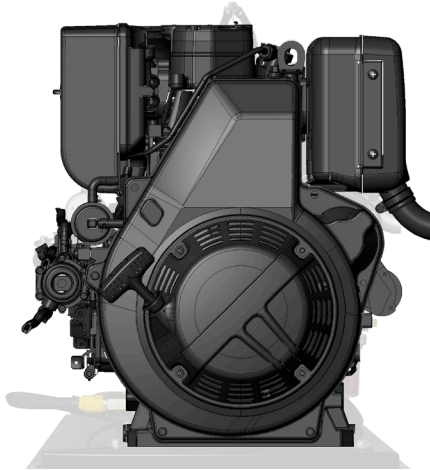


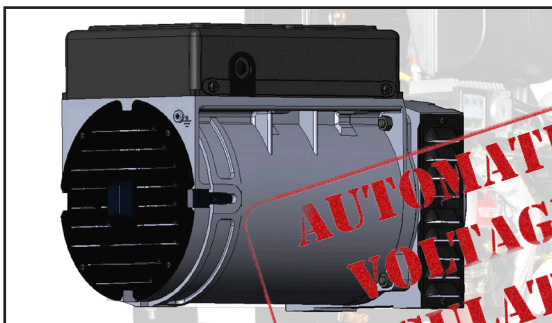
Rugged Design



Kohler Engine



Industrial Genend



**AUTOMATIC
VOLTAGE
REGULATION**

YOURGEN

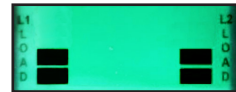
LED Display

Hours, RPMs, voltage, and frequency readings automatically cycle on the display.



Load Bars

Easily verify the load balance on each leg of the generator end.

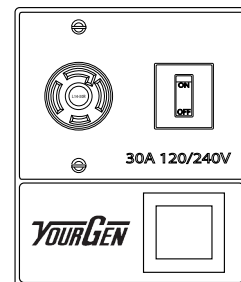


Warnings

The LED will flash if any parameter gets outside of normal range. A warning will also be displayed when it is time for an oil change.



Receptacle Panel



SPECIFICATIONS

EC6010DR

ENGINE

ENGINE BRAND	KOHLER
ENGINE MODEL	KD440
ENGINE STARTER	ELECTRIC /RECOIL
ENGINE SPEED	3600 RPM
ENGINE CYLINDERS	SINGLE
DISPLACEMENT/TYPE	440 CC / OHV
FREQUENCY REGULATION ⁽¹⁾	+/- 3%
LOW OIL PROTECTION	STANDARD
RECOMMENDED OIL ⁽²⁾	10W-30
OIL CAPACITY	1.3 QT
FUEL CONSUMPTION	GAL/HR
100%	0.50
75%	0.39
50%	0.30
25%	0.18
BATTERY SIZE ⁽³⁾	BCI GROUP U1 300 CCA

NOTES: (1) Steady state frequency regulation. (2) The recommended oil is for normal applications. See operator's manual for the recommended oil for your needs. (3) Minimum recommended start battery. Battery not included.

OPTIONAL ACCESSORIES

MAINTENANCE KIT	16200-014
-----------------	-----------

ELECTRICAL

STARTING WATTS	6,010
RUNNING WATTS	5,160
RUNNING AMPS @ 120 VAC	43
RUNNING AMPS @ 240 VAC	21.5
VOLTAGE REGULATION	AVR +/- 1%
MAIN CIRCUIT BREAKER	30 AMP, 240V
BONDED NEUTRAL	YES
120/240 VOLT RECEPTACLES	(1) NEMA L14-30 30A
YOURGEN METER	STANDARD

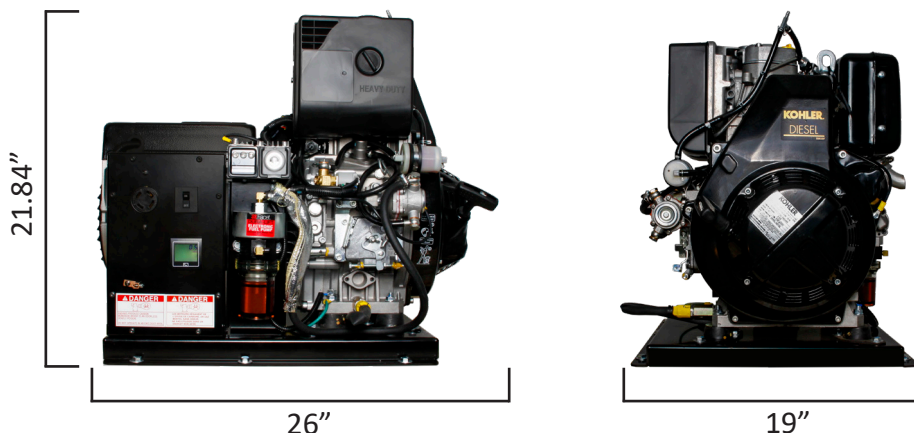
GENSET

MOTOR STARTING (CODE G)	2 HP
DBA @ 7 METERS FULL LOAD	87.6
TOTAL HARMONIC DISTORTION	< 6%
INSULATION	CLASS H
ASSEMBLED IN	USA
EPA APPROVED	YES
CARB APPROVED	YES
CSA APPROVED	NO
UNIT WARRANTY ⁽¹⁾	3 YEARS COMMERCIAL

NOTES: (1) For more generator warranty, see operator's manual.

SHIPPING

SHIPPING DIMENSIONS (L x W x H)	32" x 24.25" x 24.4"
SHIP WEIGHT	270 LBS
FREIGHT CLASS	70



Specifications are subject to change without notice.

225 S. Cordova Ave Le Center MN • 1-800-733-2112
www.wincogen.com